

**GENERAL NOTES:**

1. ALL FASTENERS SHALL BE IN ACCORDANCE WITH THESE DRAWINGS. SPECIFIED ANCHOR EMBED TO BASE MATERIAL.
2. SHALL BE FIBERED WALL FINISH OR STUCCO.
3. FINISHES, BURCKING & BURCKING FASTENERS MUST BE PROPERLY DESIGNED & INSTALLED TO TRANSFER WIND LOADS TO THE STRUCTURE.
4. ALL ANCHORS SECURING PRODUCT FRAMES TO PRESSURE TREATED BUCKS OR WOOD FRAMING SHALL BE CAPABLE OF RESISTING CORROSION CAUSED BY THE PRESSURE TREATING CHEMICALS IN THE WOOD.
5. THE FLORIDA BUILDING CODE (FBC).
6. ALL ANCHORS SECURING PRODUCT FRAMES TO PRESSURE TREATED BUCKS OR WOOD FRAMING SHALL BE CAPABLE OF RESISTING CORROSION CAUSED BY THE PRESSURE TREATING CHEMICALS IN THE WOOD.
7. MATERIALS, INCLUDING BUT NOT LIMITED TO STEEL SCREWS, THAT COME INTO CONTACT WITH OTHER DISSIMILAR MATERIALS SHALL MEET THE REQUIREMENTS OF FLORIDA BUILDING CODE CHAPTER 20.
8. TO THE BEST OF OUR KNOWLEDGE, THE PRODUCT SHOWN HEREIN IS CERTIFIED & QUALITY ASSURED BY A FLORIDA STATE APPROVED CERTIFICATION/OA ENTITY & SHALL BE LABELED IN ACCORDANCE WITH THE FBC AND THE FLORIDA DEPARTMENT OF BUSINESS & PROFESSIONAL REGULATION SPECIFICATIONS. PRODUCT ASSEMBLY IS NOT PART OF THIS REPORT AND SHALL BE IN ACCORDANCE WITH THE MANUFACTURER'S QUALITY ASSURANCE SPECIFICATIONS & TESTING REPORTS.
9. CERTIFICATION OF THESE PRODUCT INSTALLATIONS SHALL BE CONSIDERED VOID IF ANY OF THE FOLLOWING APPLY:
  - 1) PRODUCT IS INSTALLED WITHOUT A BUILDING PERMIT FROM THE APPLICABLE BUILDING DEPARTMENT.
  - 2) PRODUCT IS INSTALLED BY ANOTHER OTHER THAN A LICENSED CONTRACTOR EXPERIENCED ENTITIES CERTIFICATE OF THIS TYPE OF PRODUCT.
  - 3) IF CHANGES HAVE OCCURRED TO THE PRODUCT'S CERTIFICATION ENTITIES CERTIFICATE THAT CAUSE THESE INSTALLATIONS TO BE INCORRECT OR INCONSISTENT WITH WHAT HAS BEEN TESTED.
  - 4) THE LEAST DESIGN PRESSURE SPECIFIED EITHER IN THIS DRAWING OR IN THE PRODUCT'S CERTIFICATION SHALL CONTROL FOR THE INSTALLED PRODUCT.
  - 5) THESE DRAWINGS CERTIFY THE CERTIFICATION. THAT RESPONSIBILITY SHALL BE THAT OF THE MANUFACTURER &/OR INSTALLER.

**FRAME ANCHOR REQUIREMENTS TABLE**

OPENING TYPE (SUBSTRATE)	FRAME/CLIP/NAIL FIN TO OPENING FASTENER TYPE	MINIMUM EMBED	MINIMUM EDGE DIST.
<b>FRAME SCREWS</b>			
MIN. 2X4 WOOD FRAME OR BUCK (MIN. GR. 3 & G=0.55)	NO. 10 SMS OR WOOD SCREW	1 1/4"	3/4"
MIN. 18 GA. .33 KSI METAL STUD	NO. 10 GR. 5 SELF TAP/DRILL SCREW	FULL	1/2"
MIN. 1/8" THK A36 STEEL	NO. 10 GR. 5 SELF TAP/DRILL SCREW	FULL	1/2"
MIN. 1/8" THK 6063-T5 ALUM.	NO. 10 GR. 5 SELF TAP/DRILL SCREW	FULL	1/2"
MIN. C-90 CMU OR 2500 PSI CONCRETE	(1) 1/4" CONCRETE SCREW	1 1/4"	2"
<b>INSTALLATION CLIP SCREWS</b>			
(3) MIN. 2X6 WOOD FRAME OR BUCK (MIN. GR. 3 & G=0.55)	NO. 8 SMS SCREW	1 1/8"	3/4"
MIN. 18 GA. .33 KSI METAL STUD	NO. 8 GR. 5 SELF TAP/DRILL SCREW	FULL	1/2"
MIN. 1/8" THK A36 STEEL	NO. 8 GR. 5 SELF TAP/DRILL SCREW	FULL	1/2"
MIN. 1/8" THK 6063-T5 ALUM.	NO. 8 GR. 5 SELF TAP/DRILL SCREW	FULL	1/2"
<b>(2) NAILING FIN FASTENERS</b>			
MIN. 2X4 WOOD FRAME OR BUCK (MIN. GR. 3 & G=0.55)	NO. 8 SMS SCREW	1 3/8"	1/2"
MIN. 2X4 WOOD FRAME OR BUCK (MIN. GR. 3 & G=0.55)	11 GA. ROOFING NAIL	1 5/8"	1/2"
MIN. 1/8" THK A36 STEEL	NO. 8 GR. 5 SELF TAP/DRILL SCREW	FULL	1/2"
MIN. 1/8" THK 6063-T5 ALUM.	NO. 8 GR. 5 SELF TAP/DRILL SCREW	FULL	1/2"

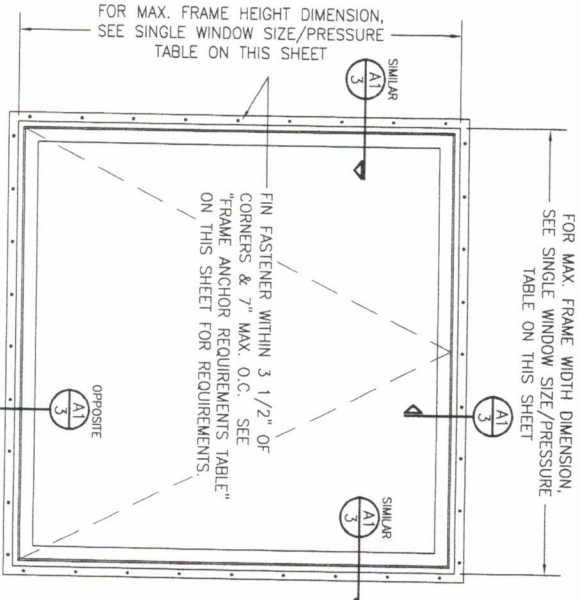
- (1) CONCRETE SCREWS SHALL BE ELCO ULTRACONS (G.S.), ELCO CRETE-FLEX (S.S.), IW RAMSET/RED HEAD TAPCONS (G.S. OR S.S.) OR HILTI KWIK-CON II (G.S. OR S.S.).
- (2) WHEN SCREWS ARE USED WITH THE NAIL FIN, THEY MUST BE A WAFFLE HEAD SCREW OR HAVE A FLAT WASHER AT THE SCREW HEAD.
- (3) WHEN INSTALLATION CLIPS ARE INSTALLED TO A 2X6 WOOD BUCK OR FRAME MEMBER, THE 2X REQUIREMENTS ARE MET.

**ALLOWABLE SINGLE WINDOW SIZE/PRESSURE TABLE**

MAXIMUM FRAME WIDTH DIMENSION (IN.)	MAXIMUM FRAME HEIGHT DIMENSION (IN.)	ALLOWABLE PRESSURE (+/- PSF)
41 1/2	59 1/2	+50/-60
53 1/2	59 1/2	+/-50
59 1/2	59 1/2	+/-30

CONDITIONS SHOWN IN THIS DRAWING & THIS TABLE ARE GOVERNED BY INSTALLATION REQUIREMENTS ONLY. THE GOVERNING CONDITIONS ON ANY SPECIFIC WINDOW UNIT SHALL BE THE LESSER OF THOSE SPECIFIED IN THE WINDOWS STATE APPROVAL OR THAT SHOWN IN THESE DRAWINGS.

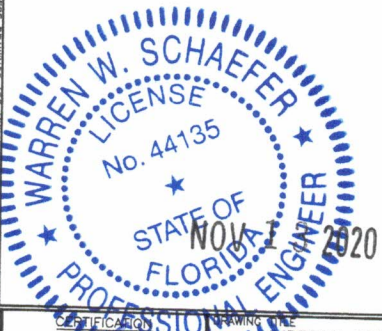
LOCK & HINGE HARDWARE VARIES WITHIN EACH WINDOW LISTED IN THE WINDOWS APPROVAL AND SHOULD BE VERIFIED FOR EACH WINDOW AS TO WHAT IS APPLICABLE FOR EACH WINDOW'S SIZE AND REQUIRED DESIGN PRESSURE.



**EXTERIOR ELEVATION: SINGLE WINDOW**  
SCALE: 3/4" = 1'-0"  
(NAIL FIN MOUNT CONDITION)

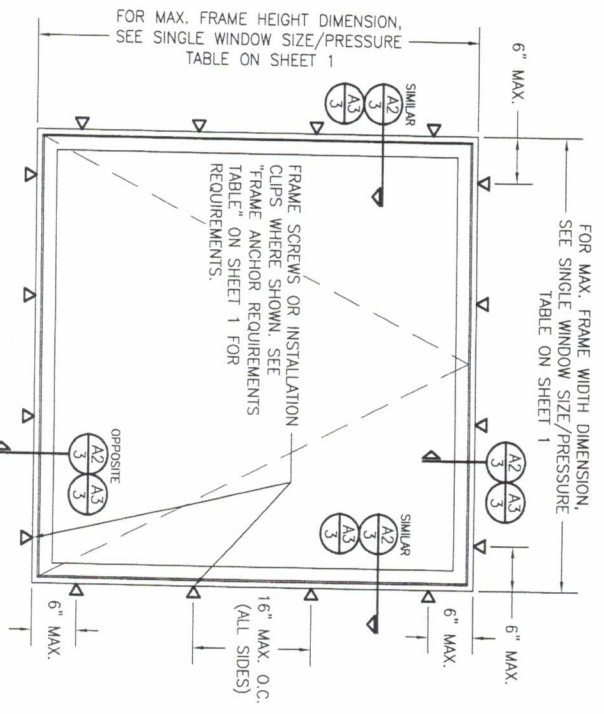
**ANCHOR/SUBSTRATE EVALUATION NOTE:**  
ALL ANCHORS IN THEIR SPECIFIED SUBSTRATES HAVE BEEN ANALYZED IN ACCORDANCE WITH THEIR APPLICABLE STANDARD(S) AND ARE FOUND TO BE CAPABLE OF SUPPORTING ALL LOADS IMPOSED ON THEM UNDER THE GUIDELINES OF THIS DOCUMENT. ANY SUBSTRATES OR CONDITIONS OUTSIDE OF WHAT IS SHOWN HERE-IN SHALL BE SUBJECT TO JOB SPECIFIC ENGINEER'S REVIEW & CERTIFICATION.

**INSTALLATION NOTE:**  
WHEN NECESSARY, INSTALLATION METHODS MAY BE MIXED WITH ANY ONE WINDOW SUCH THAT INDIVIDUAL SIDES OF THE WINDOW MAY USE ONE OR THE OTHER ANCHOR METHOD (EXAMPLE: SILL MAY USE FRAME SCREWS METHOD WHILE OTHER SIDES USE FIN)



THESE DRAWINGS ARE APPLICABLE ONLY TO THE PRODUCT SPECIFIED. THEY MAY NOT BE USED FOR THE ASSEMBLY AND/OR INSTALLATION OF ANY OTHER PRODUCT NOR MAY THEY BE USED FOR NATIONAL AND/OR LOCAL APPROVAL UNLESS SO STATED ON THESE DRAWINGS.

DRAWING NO. 1986 SHEET NO. 1 OF 3	IMPERVIA MODEL 2 NON-IMPACT AWNING WINDOWS CONSULTANTS <b>W. W. SCHAEFFER ENGINEERING &amp; CONSULTING, P.A. (CA 6809)</b> 7480 150TH COURT NORTH PALM BEACH GARDENS, FL 33418 PHONE: 561-744-3424	MANUFACTURER <b>Pella CORPORATION</b> 102 MAIN STREET PELLA, IA 50219 641-621-1000	CHECKED BY: W.W.S. DATE: 11/1/20 REVISION DESCRIPTION: 1-14
--------------------------------------	---	--	---

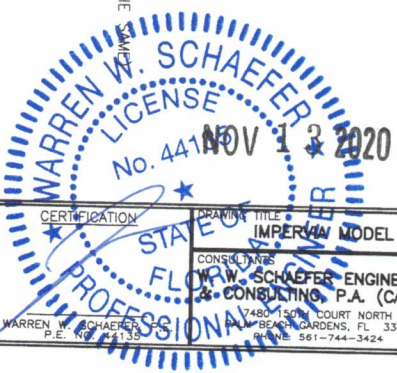
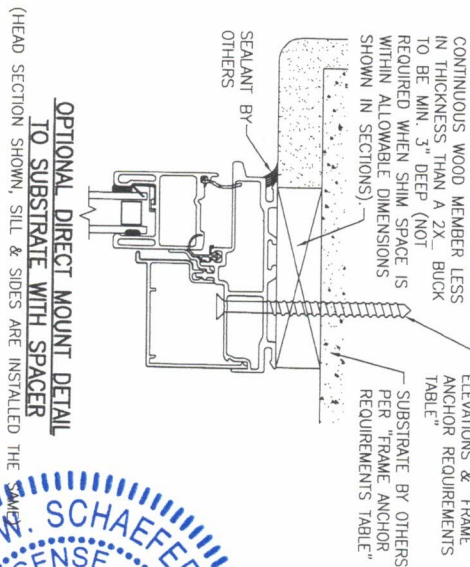
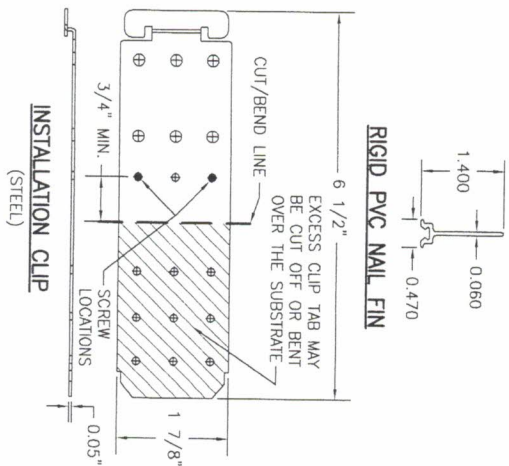
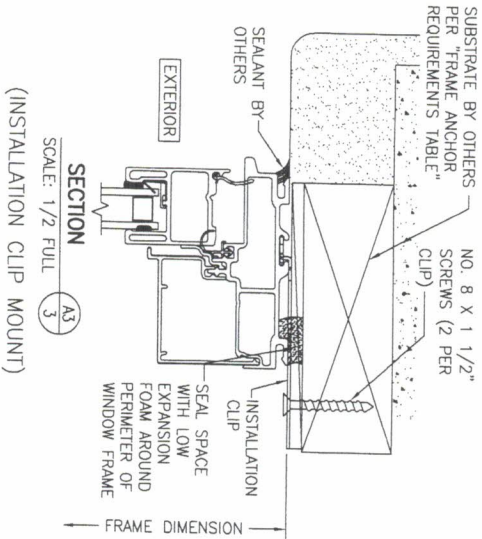
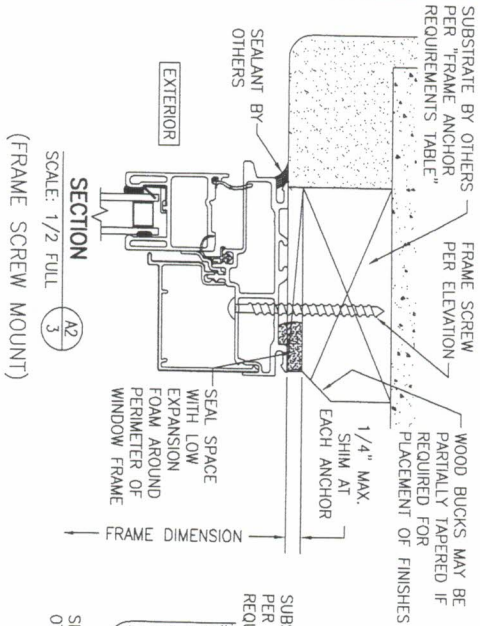
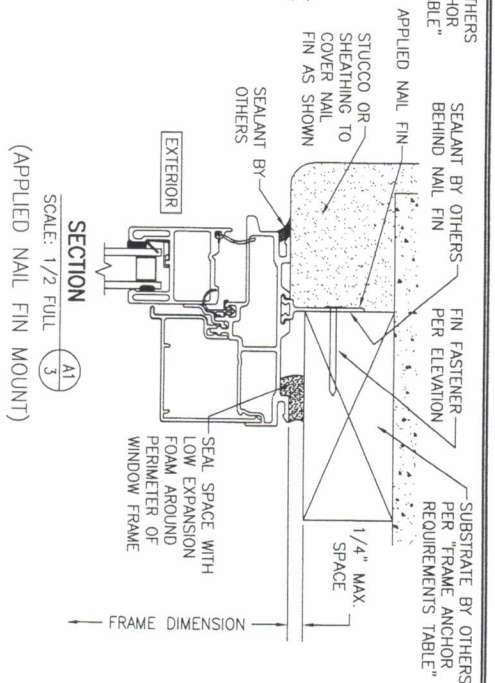
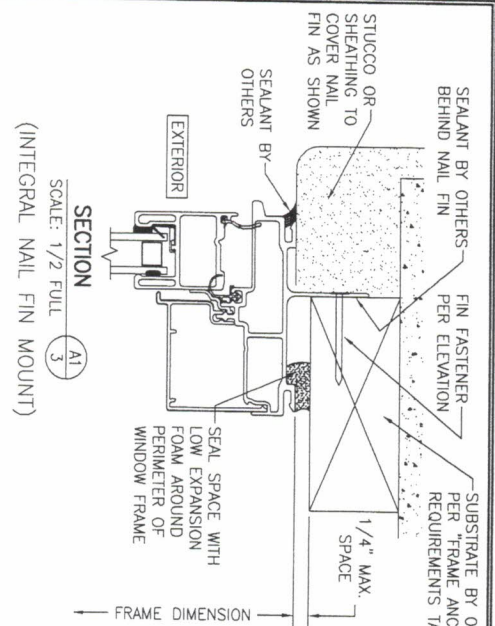


EXTERIOR ELEVATION:  
 SINGLE WINDOW  
 SCALE: 3/4" = 1'-0"  
 (FRAME SCREW & CLIP MOUNT CONDITION)



DRAWING NO. 1986	SHEET NO. 2 OF 3	DRAWING TITLE IMPERVIA MODEL 2 NON-IMPACT AWNING WINDOWS	NO. REVISION DESCRIPTION BY DATE			
CERTIFICATION WARREN W. SCHAEFER LICENSE No. 44135 PROFESSIONAL ENGINEER STATE OF FLORIDA NOV 3 2020		CONSULTANTS M. W. SCHAEFER ENGINEERING & CONSULTING, P.A. (CA 6809) 7480 150TH COURT NORTH PALM BEACH GARDENS, FL 33418 PHONE: 561-744-3424	MANUFACTURER  PELLA CORPORATION 102 MAIN STREET PELLA, IA 50219 641-621-1000	DRAWN BY W.W.S. CHECKED BY W.W.S. DATE 11/11/20		





DRAWING NO. <b>1986</b>	SHEET NO. <b>3</b> OF <b>3</b>	DRAWING TITLE <b>IMPERIA MODEL 2 NON-IMPACT AWNING WINDOWS</b>	CONSULTANTS <b>WARREN W. SCHAEFER ENGINEERING &amp; CONSULTING, P.A. (CA 6809)</b>	MANUFACTURER <b>Pella CORPORATION</b>	NO. REVISION DESCRIPTION BY DATE	DRAWN BY 1-2	CHECKED BY M.S.
						DATE 11/11/20	